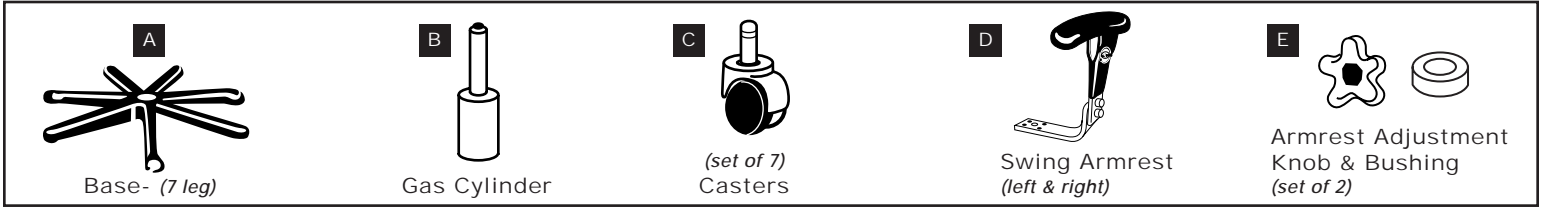


INTENSIVE USE SERIES CHAIR

Assembly Instructions

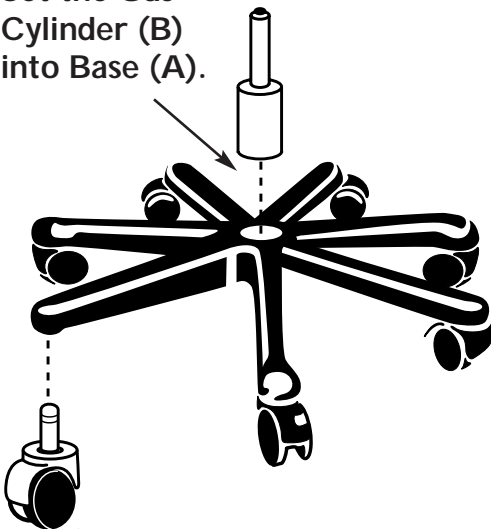
MODELS - 3142, 3144, 3146

PARTS-Please check that parts shown below are included with your Heavy Duty Chair.



STEP 2-

Set the Gas Cylinder (B) into Base (A).



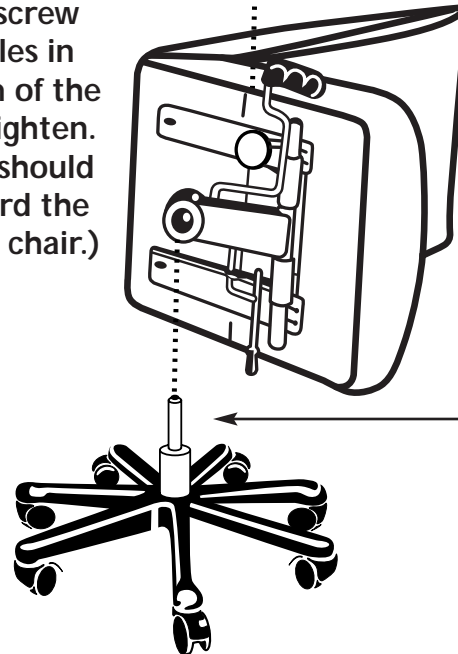
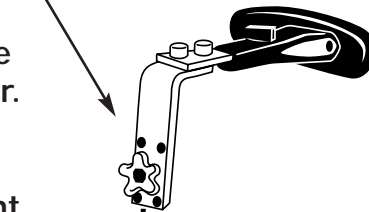
STEP 1-

Snap the casters (C), into the Base (A).



STEP 3-

Slide left and right armrest brackets into the slots in the bottom of the chair. Assemble the bushings onto the armrest adjustment knobs and screw into the holes in the bottom of the chair and tighten. (Armrests should swing toward the back of the chair.)



STEP 4-

With the chair face down take the base/cylinder assembled in steps 1 & 2 and install into the tilt mechanism on the bottom of the chair. Make sure the base/cylinder fit snugly into the tilt mechanism then stand the chair into the upright position.

STEP 5-

Adjust the tilt mechanism height and tension controls, armrests, and lumbar device to desired positions.



Questions call 1-800-892-5563

Concept Seating, Inc. • W227 N752 Westmound Dr. Unit L-1 • Waukesha, WI 53186